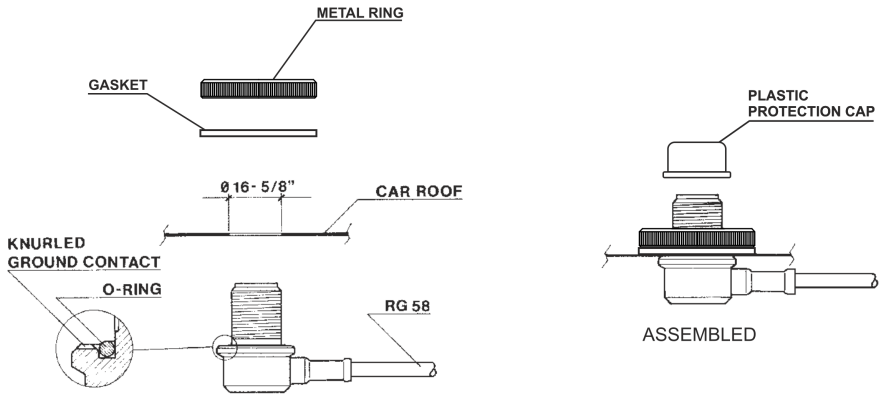


SO-239 cable

Angular Connector with 4m/13ft coaxial cable

TECHNICAL DATA

Frequency Range: DC-500MHz
Impedance: $50 \pm 2 \Omega$
Antenna Connector: UHF-Female, gold plated central pin
Connector insulator: PTFE
Cable Length / Type: 4m; 13 ft / RG 58
Cable Temperature: -40°C to +70°C
Cable Attenuation: 0,5dB @ 50MHz; 0,8dB @ 150MHz; 1,7dB @ 500MHz
Max Power: ... 500Watts @ 50MHz; 300Watts @ 150MHz; 150Watts @ 500MHz



ASSEMBLING INSTRUCTION



SIRIO[®]
antenne

HI-QUALITY ANTENNAS MADE IN ITALY