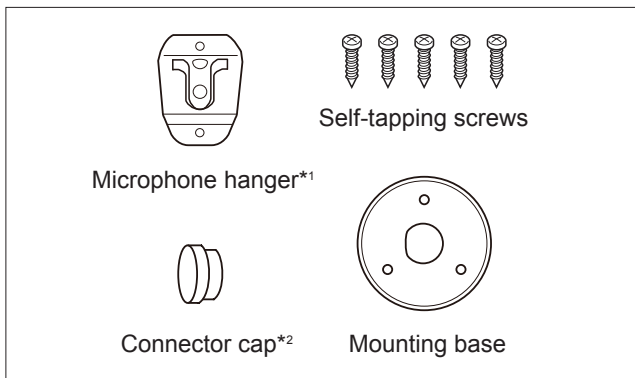
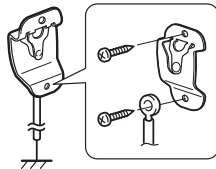


SUPPLIED ACCESSORIES



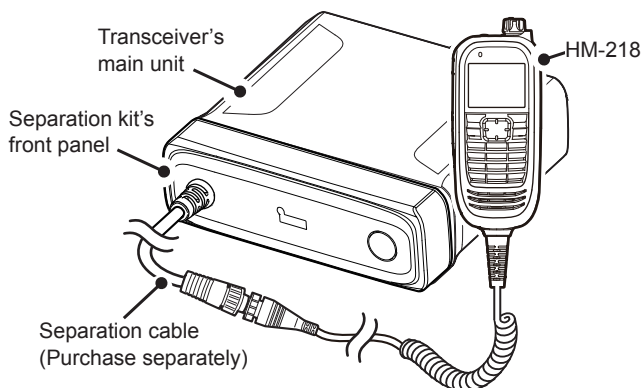
*1 Connect the microphone hanger to the vehicle's ground using the self-tapping screws for microphone ON/OFF hook functions.



*2 Put the connector cap on the separation cable's connector when the microphone is not connected.

REQUIREMENTS

- **RMK-5** SEPARATION KIT
- **OPC-2373** or **OPC-2374** SEPARATION CABLE



NOTE: Refer to the RMK-5's instruction manual for details on connecting the microphone to the separation kit.

Thank you for choosing this Icom product.
READ ALL INSTRUCTIONS carefully and completely before using this product.

PRECAUTIONS

◇ Explicit definitions

WORD	DEFINITION
CAUTION	Equipment damage may occur.

CAUTION: DO NOT use harsh solvents such as Benzine or alcohol when cleaning, as they will damage the microphone's surfaces.

DO NOT place or leave the microphone in direct sunlight or in areas with extremely high or low temperatures for long periods of time.

TURN OFF the transceiver when connecting or disconnecting the microphone.

NEVER immerse the connector in water. If the connector becomes wet, **BE SURE** to dry it before connecting it to the transceiver.

After inserting the plug into the microphone jack, turn the screw cap clockwise to firmly tighten it.

KEEP the connector cap on the separation cable's connector when the microphone is not connected.

DISPOSAL

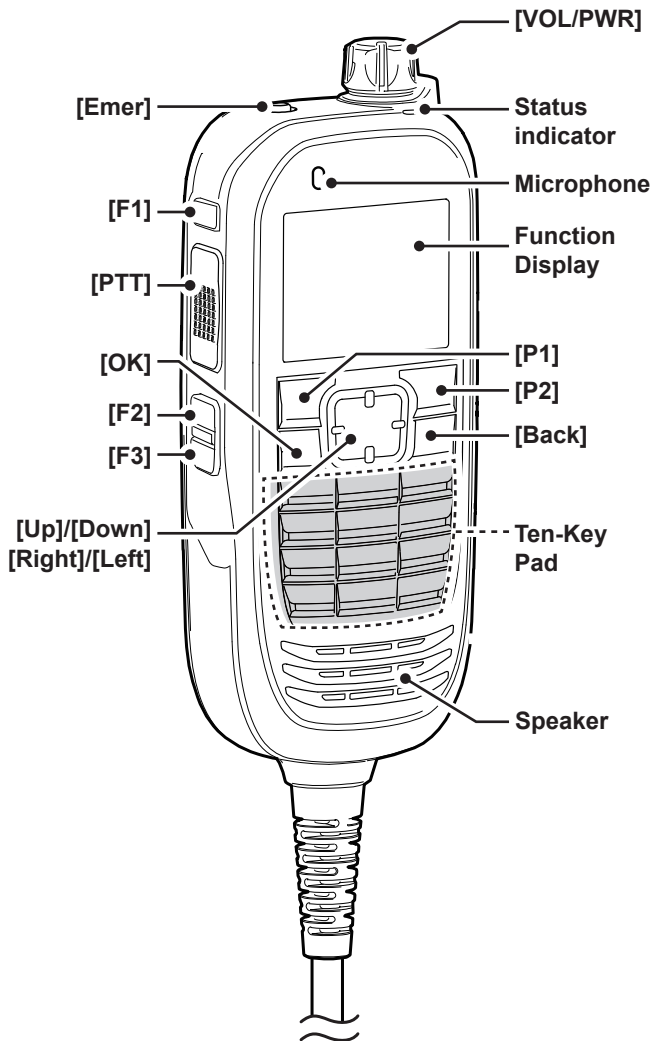


The crossed-out wheeled-bin symbol on your product, literature, or packaging reminds you that in the European Union, all electrical and electronic products, batteries, and accumulators (rechargeable batteries) must be taken to designated collection locations at the end of their working life. Do not dispose of these products as unsorted municipal waste. Dispose of them according to the laws in your area.

Icom is not responsible for the destruction, damage to, or performance of any Icom or non-Icom equipment, if the malfunction is because of:

- Force majeure, including, but not limited to, fires, earthquakes, storms, floods, lightning, other natural disasters, disturbances, riots, war, or radioactive contamination.
- The use of Icom products with any equipment that is not manufactured or approved by Icom.

PANEL DESCRIPTION



◆ About the Status indicator

- Lights red while transmitting.
- Lights green while receiving a signal, or when the squelch is open.

CONNECTION

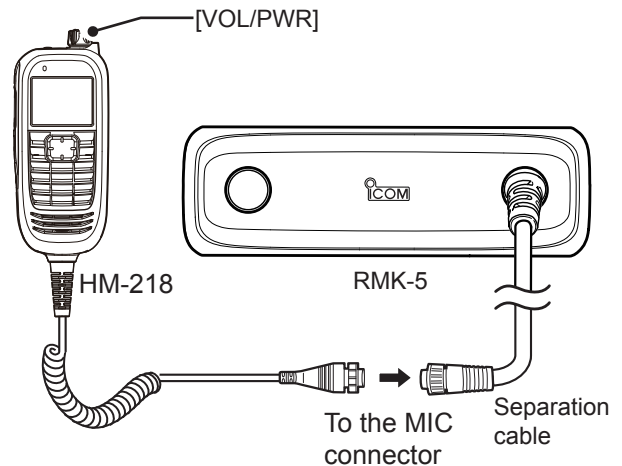
◆ Connecting the HM-218

Connect the HM-218 to the optional RMK-5 SEPARATION KIT using the OPC-2373 or OPC-2374 SEPARATION CABLE.

① See the RMK-5 instruction manual for details.

◆ Turning ON the transceiver

1. Connect the microphone cable to the separation cable's MIC connector, as shown below.
2. Push [VOL/PWR] on the HM-218 to turn ON the transceiver.



NOTE:

- You can only attach the HM-218 to the RMK-5's front panel.
- You cannot attach the HM-218 to the transceiver's control head.

OPTIONS

◆ Cables

• OPC-2373, OPC-2374

SEPARATION CABLES for command microphones

OPC-2373: 1.9 m : 6.3 ft

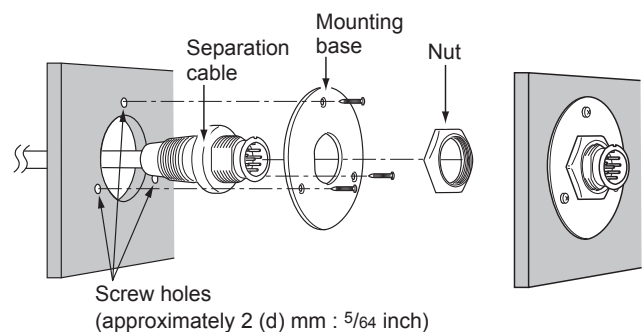
OPC-2374: 8 m : 26.3 ft

Some options may not be available in some countries. Ask your dealer for details.

MICROPHONE INSTALLATION

You can install the microphone and the separation cable on a wall as a wall socket using the supplied mounting base and self-tapping screws.

1. Drill a hole 24 to 27 (d) mm ($15/16$ to $1\ 1/16$ inches) where you want to install the mounting base.
2. Attach the separation cable to the mounting base, and then attach the nut.
3. Using the mounting base as a template, mark the holes where the three screws will be placed.
4. Drill the screw holes at the marks.
5. Attach the mounting base with the supplied screws, as shown to the far right.



Count on us!

Icom Inc.

1-1-32 Kamiminami, Hirano-ku, Osaka 547-0003, Japan

A-7340H-1EX
© 2016 Icom Inc.