



INSTRUCTION MANUAL

SEPARATION KIT

RMK-5

DUAL-HEAD SEPARATION KIT

RMK-7

Icom Inc.

Thank you for choosing this Icom product. This product is designed and built with Icom's state of the art technology and craftsmanship. With proper care, this product should provide you with years of trouble-free operation.

IMPORTANT

READ ALL INSTRUCTIONS carefully and completely before using the product.

SAVE THIS INSTRUCTION MANUAL—This instruction manual contains important operating instructions for the RMK-5 and RMK-7.

Refer to the transceiver's INSTRUCTIONS for details on the basic operations.

For the IC-F5400D and IC-F6400D series

To use the RMK-5 or RMK-7 with the IC-5400D and IC-6400D series, the transceivers' firmware revision must be 1.6 or later.

Icom, Icom Inc. and the Icom logo are registered trademarks of Icom Incorporated (Japan) in Japan, the United States, the United Kingdom, Germany, France, Spain, Russia, Australia, New Zealand, and/or other countries.

DISPOSAL



The crossed-out wheeled-bin symbol on your product, literature, or packaging reminds you that in the European Union, all electrical and electronic products, batteries, and accumulators (rechargeable batteries) must be taken to designated collection locations at the end of their working life. Do not dispose of these products as unsorted municipal waste. Dispose of them according to the laws in your area.

EXPLICIT DEFINITIONS

WORD	DEFINITION
CAUTION	Equipment damage may occur.
NOTE	If disregarded, inconvenience only. No risk of personal injury, fire or electric shock.

Icom is not responsible for the destruction, damage to, or performance of any Icom or non-Icom equipment, if the malfunction is because of:

- Force majeure, including, but not limited to, fires, earthquakes, storms, floods, lightning, other natural disasters, disturbances, riots, war, or radioactive contamination.
- The use of Icom products with any equipment that is not manufactured or approved by Icom.

PRECAUTIONS

CAUTION: DO NOT use harsh solvents such as Benzine or alcohol when cleaning, as they will damage the separation kit's surfaces.

CAUTION: DO NOT place or leave the transceiver (with the separation kit) in areas with temperatures below -30°C (-22°F) or above $+60^{\circ}\text{C}$ ($+140^{\circ}\text{F}$), or in areas subject to direct sunlight, such as the dashboard.

CAUTION: DO NOT operate the transceiver (with the separation kit) if it becomes hot after transmitting for long periods of time. This may damage the transceiver.

CAUTION: BE SURE that all connectors and jacks are dry and clean before attachment. Exposing them to dust or water will result in serious damage to the transceiver and the separation kit.

BE SURE the transceiver power is OFF and the DC power cable is disconnected before attaching the separation kits.

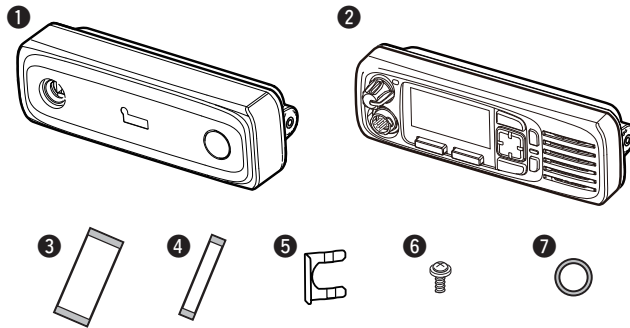
USE the specified microphone only. Other, or non-Icom microphones have different pin assignments and may damage the transceiver and the separation kit.

TABLE OF CONTENTS

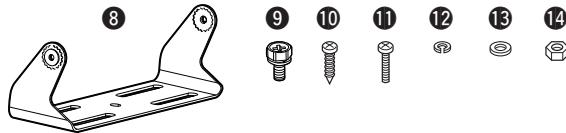
IMPORTANT.....	i
EXPLICIT DEFINITIONS.....	i
DISPOSAL.....	i
PRECAUTIONS.....	ii
SUPPLIED ACCESSORIES.....	iii
1. ATTACHMENT.....	1–8
■ Attachment images.....	1
■ Opening the transceiver.....	2
■ Detaching the control head from the transceiver.....	3
■ Attachment.....	3
2. DUAL-HEAD OPERATION.....	9–11
■ Individual settings.....	9
■ Control Head settings.....	10
3. SPECIFICATIONS AND OPTIONS.....	12
■ Specifications.....	12
■ Options.....	12
4. MOUNTING.....	13

SUPPLIED ACCESSORIES

Separation kit accessories



Mounting bracket accessories



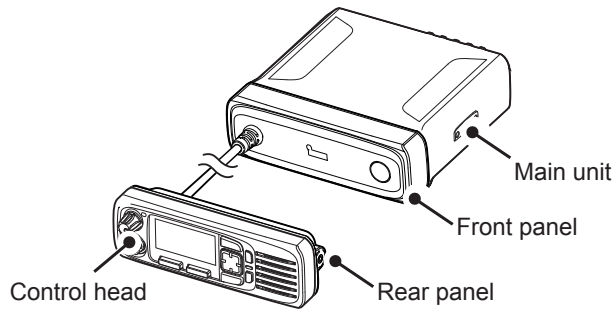
	RMK-5 (Qty.)	RMK-7 (Qty.)
1 RMK-5/RMK-7	1	1
2 Control head	Not supplied	1
3 Flat cable (wide)	1	2
4 Flat cable (narrow)	1	1
5 Cable bracket	2	4
6 Grounding screw	2	2
7 Connector O-ring	3	4
8 Mounting bracket	1	2
9 Bracket screw	2	4
10 Self-tapping screw	4	8
11 Mounting screw	4	8
12 Spring washer	4	8
13 Flat washer	4	8
14 Nut	4	8

NOTE:

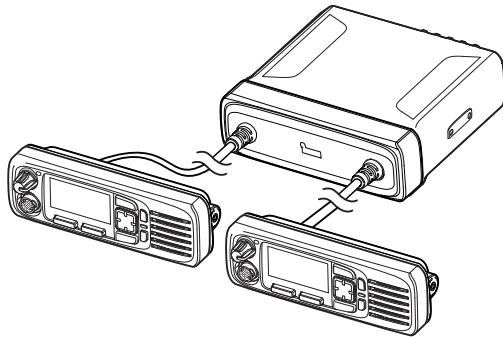
You need to purchase a separation cable separately.
See page 12 for details on the separation cables.

■ Attachment images

RMK-5

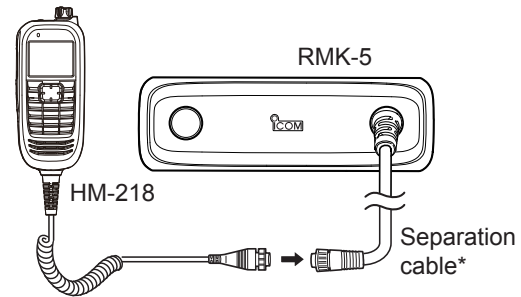


RMK-7



About the HM-218 HAND MICROPHONE for the RMK-5:
You can use the HM-218 HAND MICROPHONE with the RMK-5.

① Ask your dealers for details on the microphone.



*OPC-2373 or OPC-2374 SEPARATION CABLE for command microphone is required to connect the HM-218.

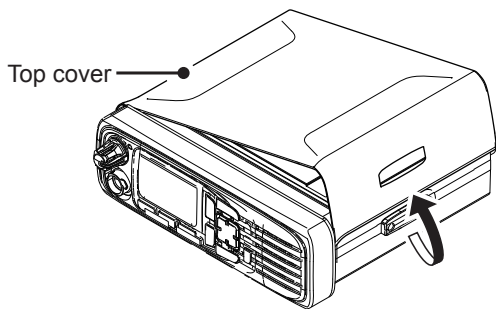
NOTE:

- You can only attach the HM-218 to the RMK-5's front panel.
- You cannot attach the HM-218 to the transceiver's control head.

1 ATTACHMENT

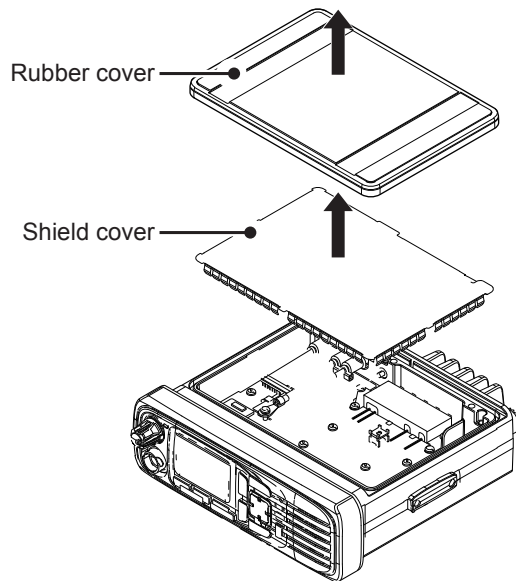
■ Opening the transceiver

1. Turn OFF the transceiver and disconnect the DC power cable.
2. Carefully pull out the side of the top cover in the direction of the arrow, and then lift off the top cover.



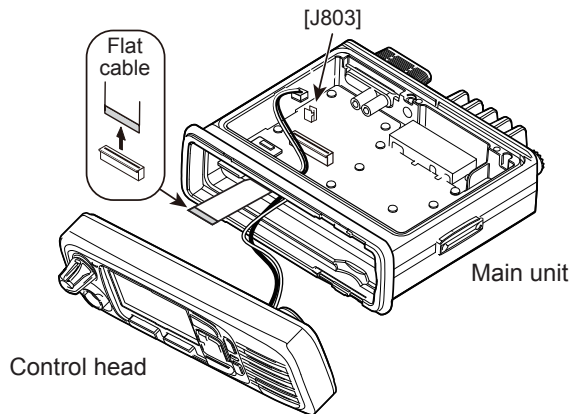
Be careful!
Do not break your fingernails.

3. Take out the rubber cover and the shield cover.



■ Detaching the control head from the transceiver

1. Disconnect the speaker cable [J803] from the transceiver's main unit.
2. Disconnect the flat cable from the transceiver's control head.
3. Detach the control head from the main unit.

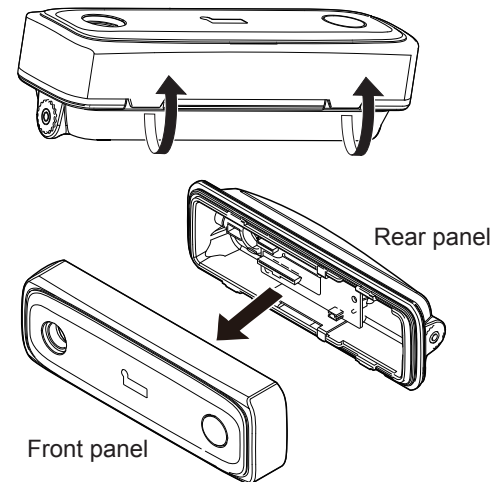


■ Attachment

◇ Opening the separation kit

NOTE: The separation kit is supplied with the front panel and rear panel attached. First you need to open the separation kit in order to attach the control head to the separation kit's rear panel.

Hold the tabs on the separation kit's front panel, and then pull out in the directions of the arrows.



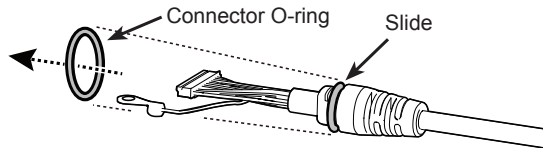
1 ATTACHMENT

■ Attachment (Continued)

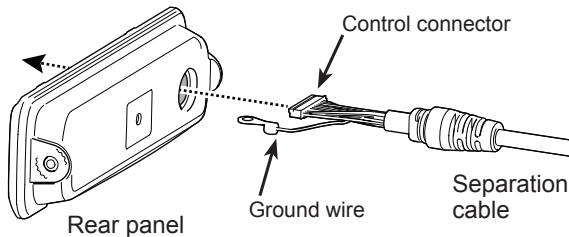
◇ Connecting the separation cable

① The separation cables are purchased separately.

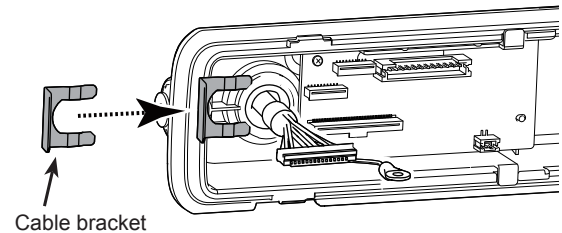
1. Pass the separation cable's control connector and ground wire through the supplied connector O-ring.
2. Slide the connector O-ring into the groove.



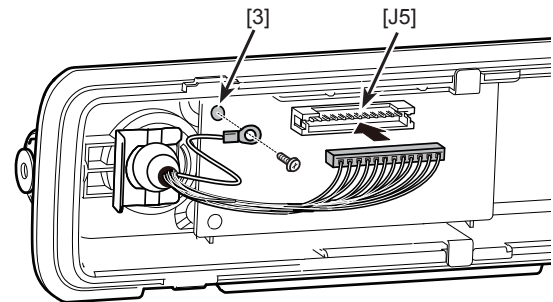
3. Pass the separation cable's control connector and ground wire through the cable hole from the back of the rear panel.



4. Firmly slide the cable bracket in place to lock the cable inside the rear panel.

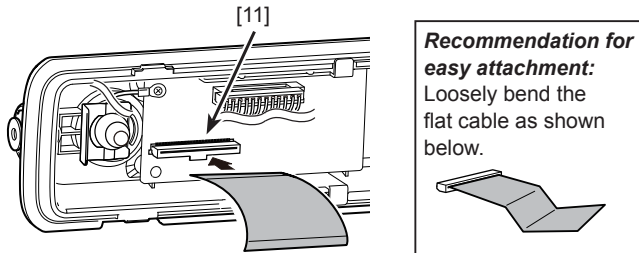


5. Unfasten the grounding screw from screw hole [3], and then using the same screw, firmly fasten the ground wire's terminal to ground.
6. Connect the control connector to connector [J5].

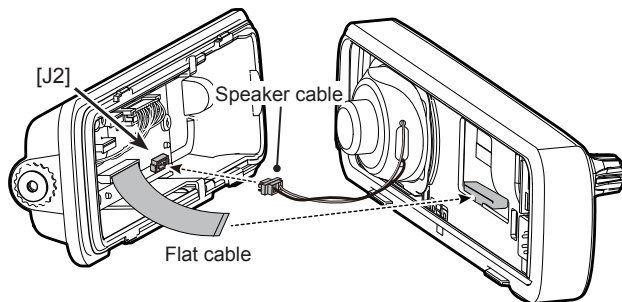


◇ Attaching the control head

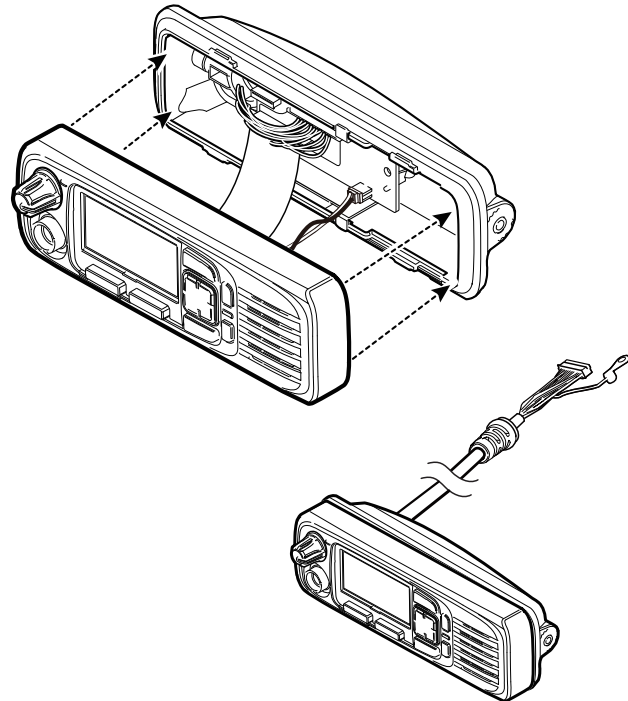
1. Insert the flat cable into connector [11] on the separation kit's inside panel.



2. Connect the flat cable on the transceiver's front panel, and then connect the speaker cable you disconnected from the transceiver's main unit to [J2] on the separation kit's rear panel.



3. Firmly attach the control head to the separation kit's rear panel.

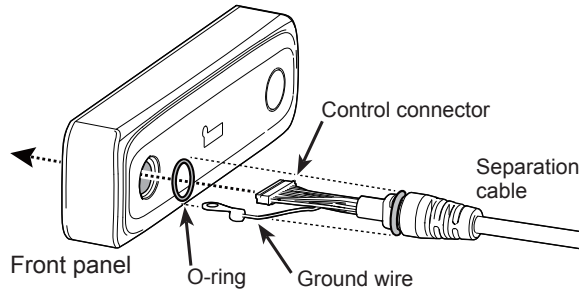


1 ATTACHMENT

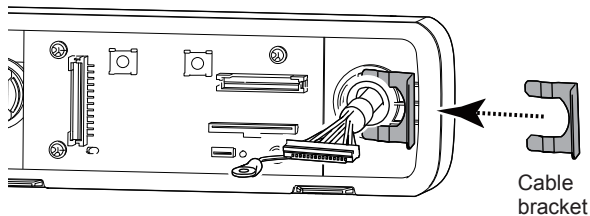
■ Attachment (Continued)

◇ Attaching the front panel

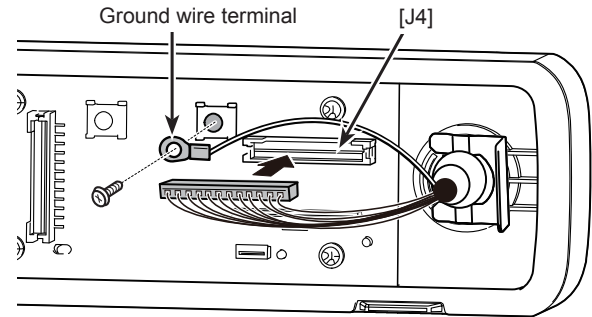
1. Pass the separation cable's control connector and ground wire through the supplied connector O-ring and cable hole of the front panel from the front side.
① If you are connecting another separation cable, pass that cable through the other cable hole.



2. Firmly slide the cable bracket in place to lock the cable inside the front panel.

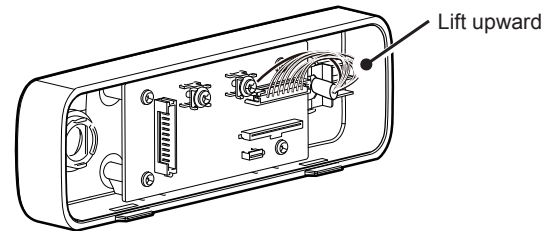


3. Firmly fasten the ground wire terminal to the front panel using the supplied grounding screw.
4. Connect the control connector to connector [J4].

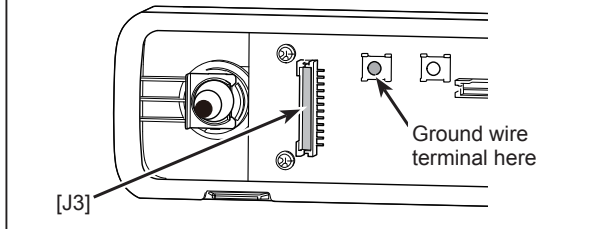


Important for easy attachment:

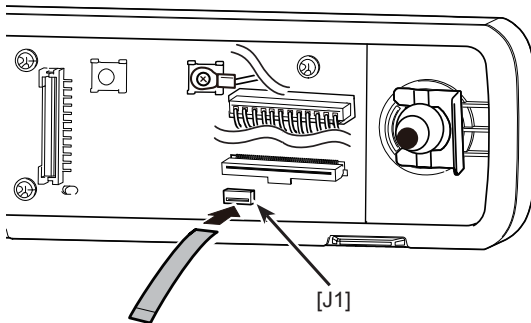
- Lift the control connector and ground wire upward.



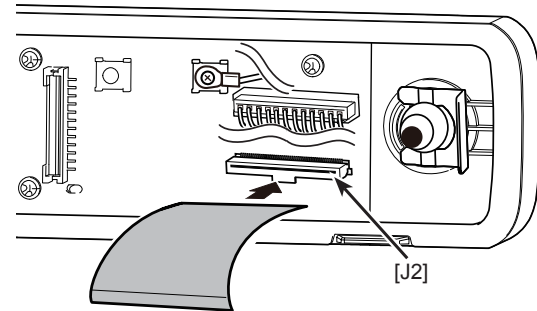
- ① If you are connecting another control head, connect that ground wire terminal, and then connect the other control connector to connector [J3].



5. Connect the narrow flat cable to connector [J1].

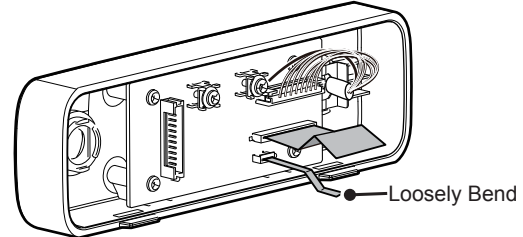


6. Connect the flat cable you disconnected from the transceiver's main unit to connector [J2].



Recommendation for easy attachment:

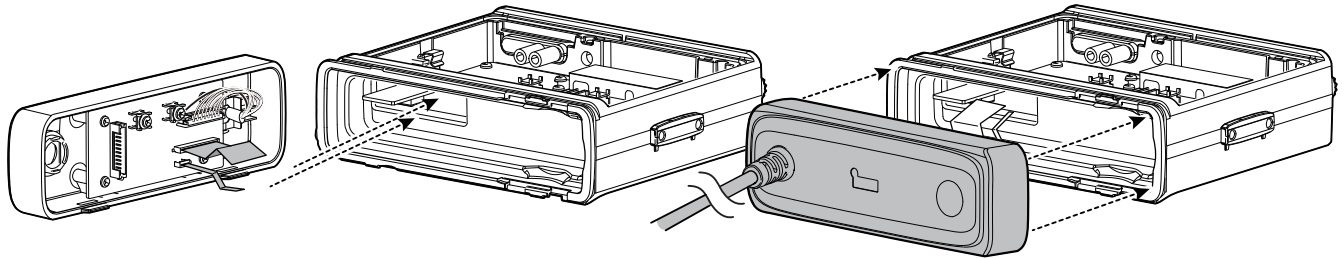
- Loosely bend the narrow flat cable.
- ① The wide flat cable is originally bent.



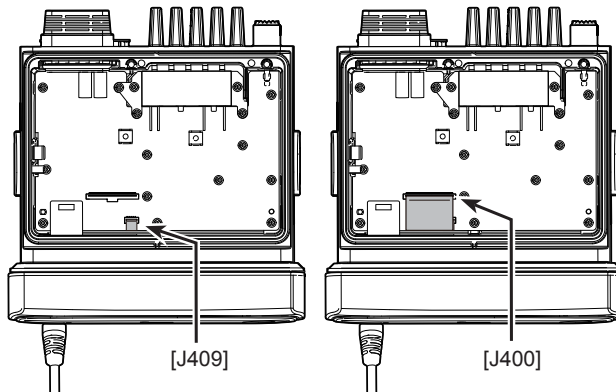
1 ATTACHMENT

◇ Attaching the front panel (Continued)

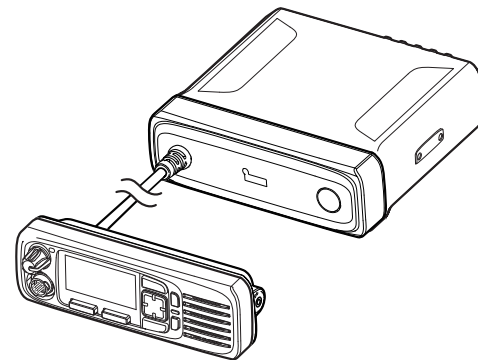
7. Pass the flat cables through the opening in the main unit, and then attach the separation kit's front panel to the main unit by pushing it in place.



8. Connect the narrow flat cable to connector [J409], and then connect the wide flat cable to connector [J400].



9. Put the shield cover and rubber cover back in the main unit.
10. Put the main unit's top cover back on.



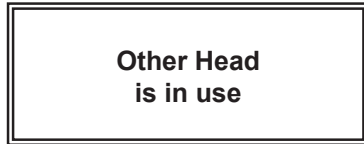
This section describes the operations that can be made when two control heads are connected to the transceiver's main unit. For the operations and functions that are not mentioned in this section, see the transceiver's instruction manual.

1

2

“Other Head is in use”

Except for the Power key, [VOL], and [Emer] keys, all keys are locked while one control head is being used, and “Other Head is in use” is displayed as shown below.



The [PTT] button is also locked while [PTT] is being pushed on the other control head. This means that you can only transmit from one control head at a time.

■ Individual settings

You can individually set the following items in each control head, and also in the HM-218.

① See the transceiver's instruction manual for details on setting these items.

Item	Options
Audio level	—
Head SP Out	ON/OFF (See page 11 for details)
Backlight	ON/Auto OFF/OFF
Brightness	0~7
Dimmer	0~7
LCD Mode	Day/Night

NOTE: Except for the audio level setting, you can only set the items using one control head at a time. While setting an item on another control head “Other Head is in use” is displayed.

2 DUAL-HEAD OPERATION

■ Control Head settings

When two control heads are connected, the “**Control Head**” category is added to the Menu screen. Select “Control Head” to set the following items.

◇ Intercom

The Intercom function enables you to communicate between the control heads.

1. Select “Intercom,” and then push [OK].
①The Intercom function is ON.
 2. Hold down or release [PTT] to communicate.
 3. Push [OK] to turn the Intercom function OFF.
- ①While communicating using the Intercom function, you can use only [PTT], [VOL] and [Emer].

◇ Hanger

(Options: HEAD 1 & HEAD 2, HEAD 1, HEAD 2)

Select which control head, or simply select both control heads, to automatically start scanning after putting the microphone in the hanger (on-Hook).

①To use this function, turn the Hook Scan function ON in the “Functions” category.

HEAD 1 & HEAD 2: Automatically starts scanning after putting both microphones in their hangers.

HEAD 1: Automatically starts scanning after putting the microphone in the CONTROL HEAD 1 hanger.

HEAD 2: Automatically starts scanning after putting the microphone in the CONTROL HEAD 2 hanger.

◇ TX AF Monitor

(Options: OFF, ON)

The TX AF Monitor function enables you to monitor the audio that is transmitted on the other control head, when ON is set.

①While receiving, the received audio can be heard on both control heads.

◇ SP Link

(Options: OFF, HEAD 1, HEAD 2)

The SP Link function enables you to link the audio volume settings between the two control heads. Select which control head controls the audio volume.

OFF: The audio volume settings are not linked, and are individually set at each control head.

HEAD 1: The audio volume settings are linked, and are equally set on CONTROL HEAD 1.

HEAD 2: The audio volume settings are linked, and are equally set on CONTROL HEAD 2.

◇ Primary Mic

(Options: HEAD 1, HEAD 2)

Select which control head's microphone to use when transmitting without pushing [PTT], such as when using the Auto TX function or PC commands.

HEAD 1: CONTROL HEAD 1's microphone is used.

HEAD 2: CONTROL HEAD 2's microphone is used.

◇ Head SP out

(Options: HEAD 1, HEAD 2)

Select whether or not to output the audio from the control head.

① You can individually set to each control head, and also the HM-218.

OFF: The audio is not output.

ON: The audio is output from the control head's front speaker or from the HM-218.

■ Updating the firmware

For the IC-F5400D and IC-F6400D series, the firmware of the control heads are automatically updated when they are not up-to-date to the transceiver's main unit.

When the control heads are not up-to-date:

The control head automatically starts updating when you turn ON the power at the control head.

■ Specifications

- Audio output power: 3.5 W with a 4 Ω load
(at 5% distortion)
- Operating temperature range: $-30^{\circ}\text{C} \sim +60^{\circ}\text{C}$
($-22^{\circ}\text{F} \sim +140^{\circ}\text{F}$)
- Power supply requirement: 13.6 V DC nominal
- Dimensions:
 - Front panel: 177 (W) x 55 (H) x 25 (D) mm
7 (W) x 2.2 (H) x 1 (D) in
 - Rear panel: 170 (W) x 55 (H) x 26 (D) mm
6.7 (W) x 2.2 (H) x 1 (D) in
 - Control head with rear panel: 170 (W) x 55 (H) x 55 (D) mm
6.7 (W) x 2.2 (H) x 2.2 (D) in
- Weight (approximately):
 - Front panel: 100 g / 3.5 oz
 - Rear panel: 110 g / 3.9 oz
 - Control head with rear panel: 250 g / 8.8 oz

■ Options

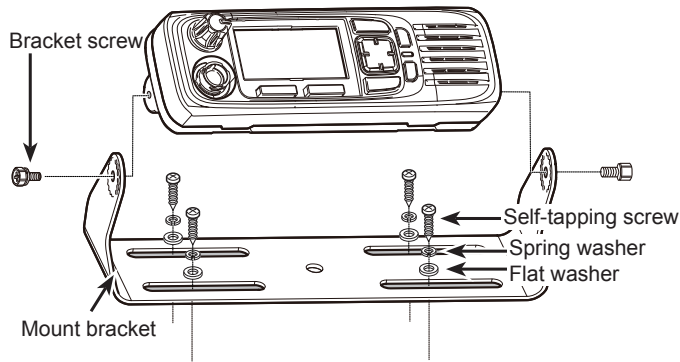
- **OPC-2364, OPC-2365, OPC-2366, and OPC-2367**
SEPARATION CABLES
OPC-2364: 1.9 m / 6.3 ft
OPC-2365: 3 m / 9.9 ft
OPC-2366: 5 m / 16.4 ft
OPC-2367: 8 m / 26.3 ft
- **HM-218** HAND MICROPHONE + **OPC-2373** or **OPC-2374**
SEPARATION CABLE for RMK-5
HM-218: Command microphone with a built-in speaker
OPC-2373: Separation cable for command microphones
(1.9 m / 6.3 ft)
OPC-2374: Separation cable for command microphones
(8 m / 26.3 ft)

Some options may not be available in some countries.
Ask your dealer for details.

◇ Mounting on a wall

Securely mount the control head on a wall, using the following supplied accessories.

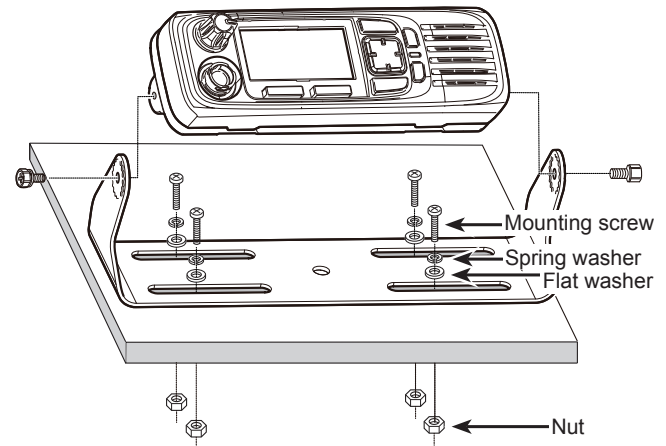
- Mounting bracket..... 1
- Bracket screw..... 2
- Self-tapping screw..... 4
- Spring washer..... 4
- Flat washer..... 4



◇ Mounting on a board

Securely mount the control head on a board, using the following supplied accessories.

- Mounting bracket..... 1
- Bracket screw..... 2
- Mounting screw..... 4
- Spring washer..... 4
- Flat washer..... 4
- Nut..... 4



3
4

Count on us!

A7341D-1EX-1
Printed in Japan
© 2016–2017 Icom Inc.

Icom Inc.
1-1-32 Kamiminami, Hirano-ku, Osaka 547-0003, Japan