

MODEL **GP-9**

Ultra High Gain Dual Band Antenna
for 144 & 430MHz

Instruction Manual

Thank you for purchasing our products.

For your safety :

Read this manual carefully for proper handling and operation before using.
Keep this manual in a safe place for future reference.

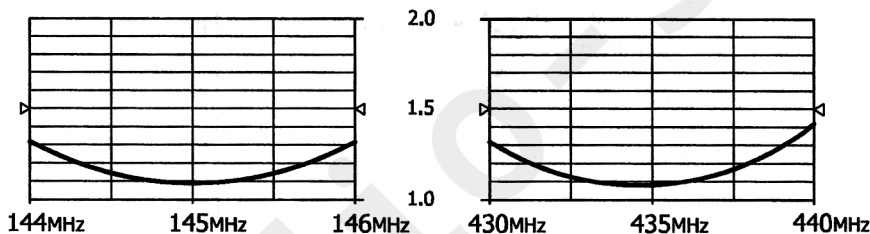
[Features]

- Low-Loss and High Gain, based on SLC, Super-Linear-Converter.
- GP-9 is Wide-Band, and requires no Frequency adjustment.
- Heavy-duty fiberglass guarantees perfect water/pollution-proof and prevents QSB.
- ABS-Joint system provides the finest beam pattern and easy assembling.
- Lightning Protection is equipped.
- Enjoy Dual-Band Communication with COMET Duplexer, CF-416 and/or CF-4160.

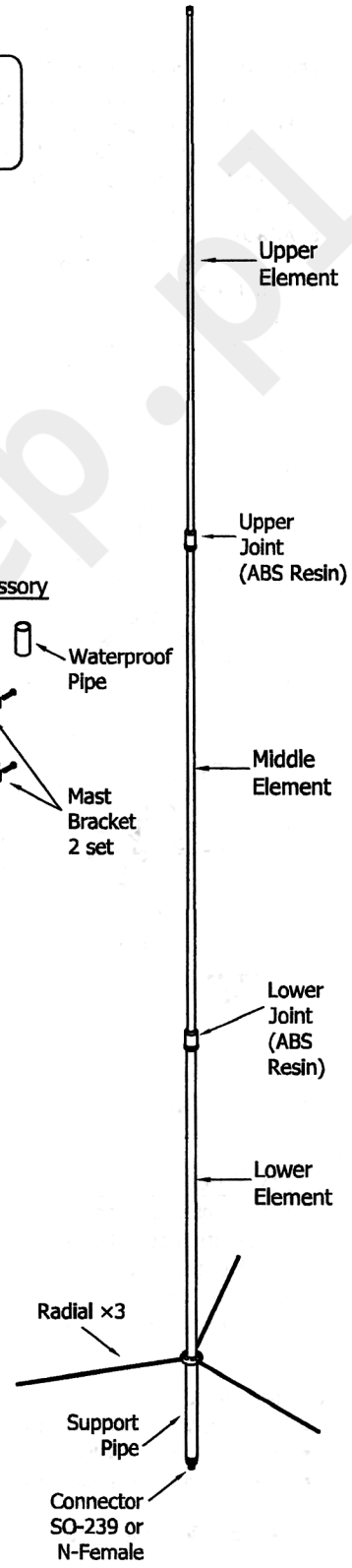
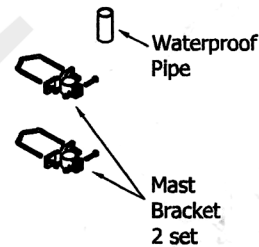
[Specifications]

Frequency : 144 & 430MHz
Gain : 144MHz / 8.5dBi, 430MHz / 11.9dBi
Impedance : 50Ω
VSWR : 1.5 or less
Length : 5.15m
Max Input Power : 200W
Weight : 2.2kg
Mounting Mast Diameter : Φ30-62mm
Connector : SO-239 or N-Female

◆ VSWR Reference data

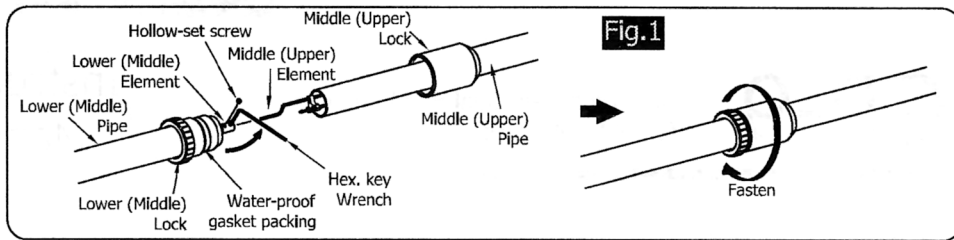


● Accessory



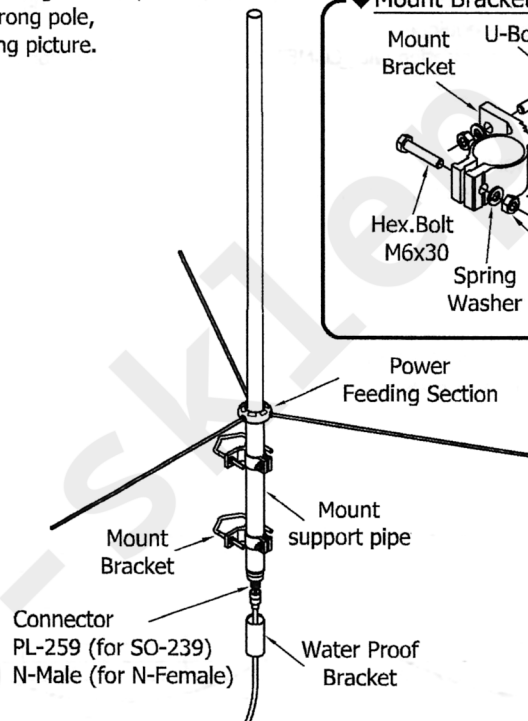
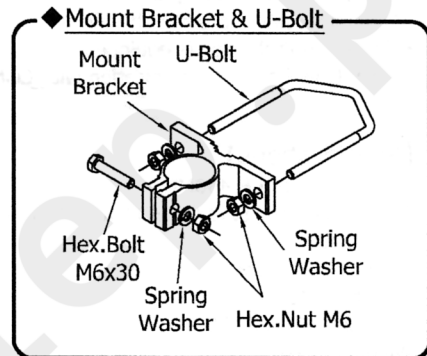
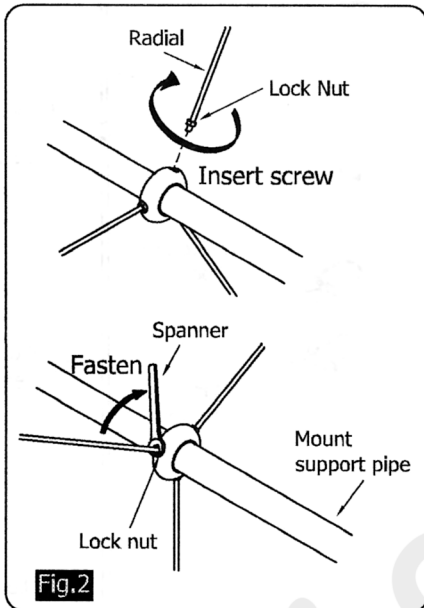
⚠ PRECAUTIONS for Installation

- Always enlist the aid of at least one competent person in erecting the antenna at any high places such as roof top. Also, wearing a safety hat and a life line is highly recommended.
- Be sure to tighten and waterproof all screws, nuts and bolts to prevent them from coming loose by vibration or strong wind. Failure to follow this could result in fire or falling accident of the antenna.
- Do not erect this antenna near any overhead wires, steel towers, buildings or any other obstacles. Otherwise, SWR could be higher or cause significant performance degradation.
- Check if the Cable Connector fits into the Balun Connector.



【How to assemble/mount】

1. Connect the Lower Element and the Middle Element, using the Hex Wrench. (See Fig. 1)
2. Put the Middle Pipe into the Lower Pipe. Then, assemble the Lower Lock Screw and the Mid Joint Receptacle with rubber washer.
3. Connect the Upper Element and the Mid Element.
4. Insert the Upper Pipe into the Mid Pipe. Then, assemble the ABS Joint, following (B)
5. Attach 3 radials. Make sure to tighten the Radial Lock Nut securely. (See Fig.2)
6. Attach the Mount Brackets to the Support Pipe. Pass the Coax Cable through the pipe and connect it to the Power Feeding Section. Make sure to tighten Hex Bolts securely.
7. Mount the Support Pipe to the Antenna, and fasten the Lock Bolt.
8. Mount the Antenna to your pole. Since GP-9 is 5.15m long antenna, BE SURE to keep the antenna balance and use the strong pole, 30-62mm dia. Refer to right Figure for whole mounting picture.



Note : For long-term use, water-proofing with glue, self-fusing tape, and/or vinyl tape is highly recommended.

⚠ Precautions for using

- This antenna is only for ham radio. Do not use this for other purposes.
- Operation outside the specification might damage the antenna.
- Adjust the antenna correctly. Elevated SWR could damage the antenna.
- Never attempt to modify or fix the antenna by yourself.
- Do not touch the antenna while transmitting.

【Maintenance】

- Check SWR before using to confirm if the antenna works normally.
- Check if screws, bolts and nuts are tightened securely, and if not, retighten them.
- Be sure to change the parts, deformed by long-term use or low in intensity.

■ Specifications or appearance is subject to change without notice.

COMET CO.,LTD.

4-18-2, Tsuji, Minami-ku, Saitama-shi, Saitama-Pref, 336-0026, JAPAN
 TEL : 81-48-839-3131 / FAX : 81-48-839-3136
 URL : <http://www.comet-ant.co.jp/english>

